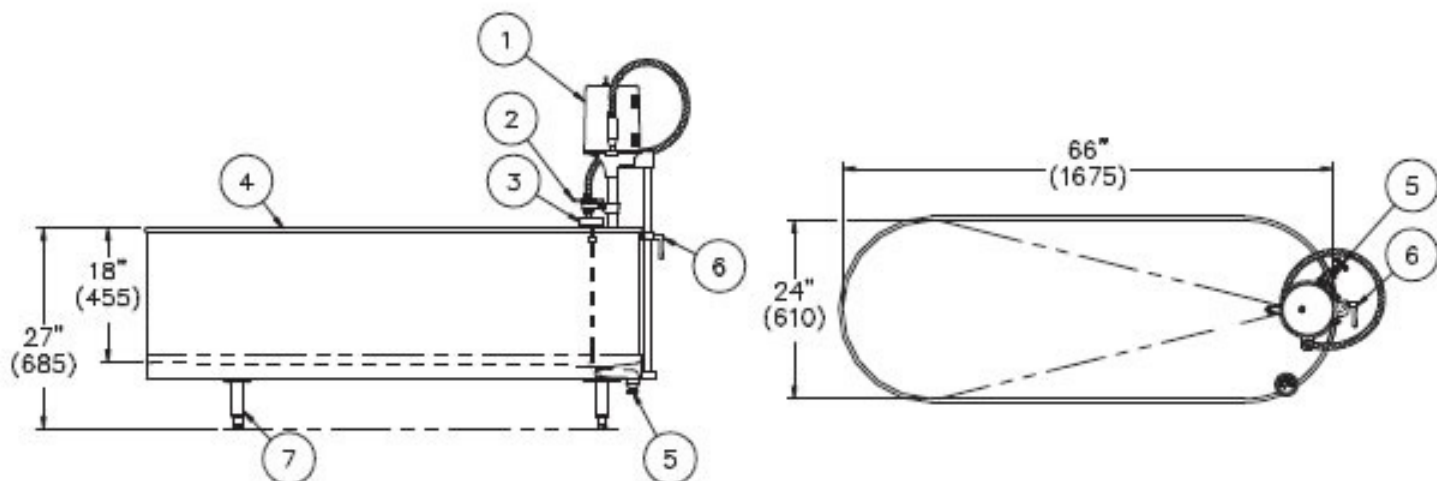


Note: Electrical requirements are 8 Amps / 115 Volts/ 60Hz/ 3 Pole GFI Receptacle.



All dimension figures
in parentheses are
in millimeters.



STATIONARY L-105-SL SERIES WHIRLPOOL

NOTES:

- | | |
|-------------------------------|---------------------------------------|
| 1. 1/2 hp Jet Pump Motor. | 5. Auxiliary Drain Valve. |
| 2. Variable Pressure Control. | 6. Turbine Raising & Lowering Device. |
| 3. Thermometer | |
| 4. Stainless Steel Tank. | 7. Adjustable Stainless Steel Legs. |