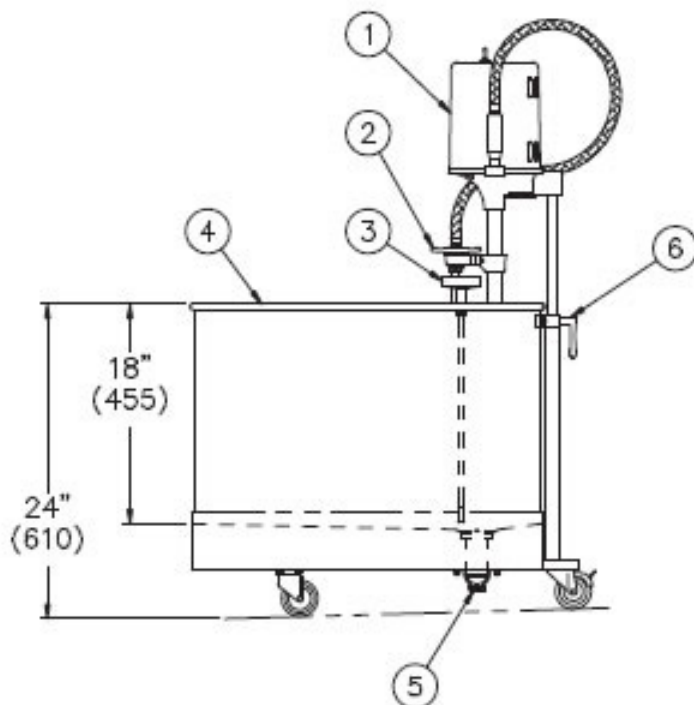
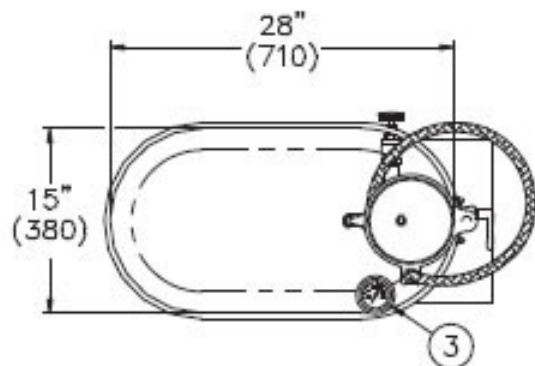


Note: Electrical requirements are 8 Amps / 115 Volts/ 60Hz/ 3 Pole GFI Receptacle.



All dimension figures in parentheses are in millimeters.



MOBILE P-22-M SERIES WHIRLPOOL

NOTES:

- 1. 1/2 hp Jet Pump Motor.
- 2. Variable Pressure Control.
- 3. Thermometer.

- 4. Stainless Steel Tank.
- 5. Auxiliary Drain Valve.
- 6. Turbine Raising & Lowering Device.