

# Germinator-UV Tower - Mobile Disinfection Unit

## Item# Germinator-UV Tower

### Construction:

The Germinator-UV Tower consists of:

- Germicidal ultraviolet lamps: Deliver ultraviolet energy at the specific wavelength of 254 nanometers (nm).
- This wavelength is highly effective against microbes including virus, bacteria and mold spores. Germicidal ultraviolet rays are harmful to eyes and skin, avoid exposure of direct or reflected germicidal ultraviolet rays without approved ultraviolet blocking face shield and protective covering (such as gloves, long sleeves with no gaps between cuff and gloves).
- Audible Exit Warning Alarm: To alert area that the lamps will be powered on in one minute and thirty seconds after the start button is pressed or to indicate intruder is in Operation Area.
- Elapsed Time Indicator: A non-resettable display of the operating hours. Useful for scheduling and recording maintenance and lamp replacement.
- Hand-Held Remote Controller: Provides easy operation of Germinator-UV Tower from a safe distance, displays lamp operation, controls treatment times and alerts operator with an audible alarm if an intruder enters Operation Area.
- Keypad Controller: Provides easy operation of Germinator-UV Tower and allows the operator a period of time (one minute and thirty seconds) to leave the Operation Area before treatment begins.
- Intruder Sensors: Delay treatment if the Operation Area is inhabited. Additionally, if sensors detect an intruder with less than 30 seconds left before lamps operate, the countdown time will automatically restore back to 30 seconds until area is cleared.
- Four Wheels with Locking Casters: Make moving Germinator-UV Tower easily accomplished for location changes.
- Power Cord: For 120v AC 50/60Hz single-phase standard household current, a NEMA 5-15, three-prong plug is provided for a properly grounded outlet. 230v AC 50/60Hz models use a CEE 7/7 (Schuko type) plug. (Consult factory for other plug types).
- Stainless Steel Lamp Guard Assembly: Protects lamps from damage during normal operation.
- Stainless Steel Construction: All electronics and wiring are housed in an enclosure constructed of stainless steel, providing strength and durability in order to withstand most harsh environments.
- Germinator-UV Tower will operate between 120v 50/60Hz and 250v 50/60Hz.



### Principle of Operation:

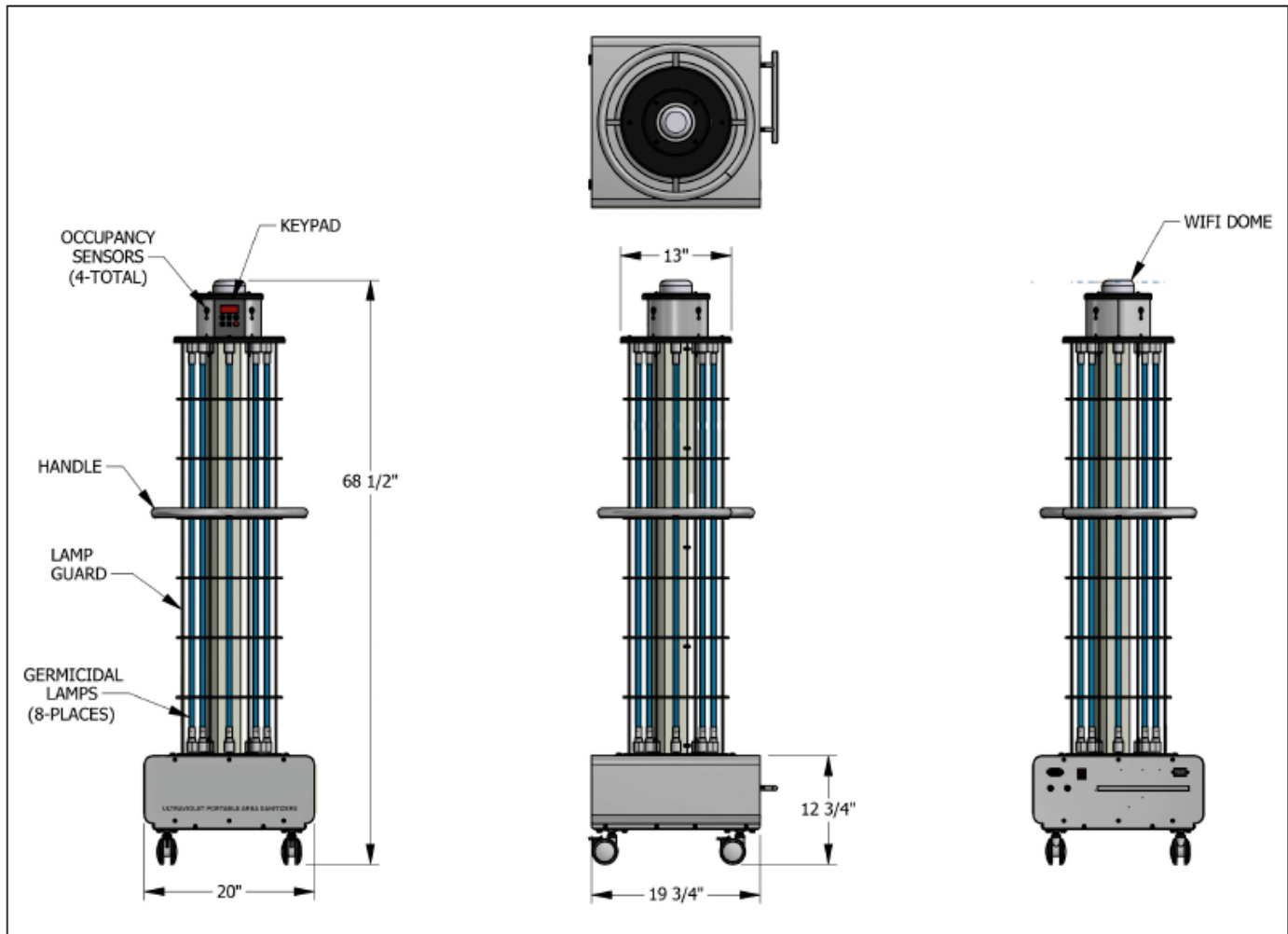
- The Germinator-UV Tower design has been carefully conceived to provide direct germicidal ultraviolet exposure for air and surface disinfection in unoccupied areas to disinfect and prevent areas and surfaces from microorganisms. The ultraviolet disinfection dosage is a function of time and the intensity, of the ultraviolet radiation to which the air and surrounding surfaces are exposed.
- NOTE: The Germinator-UV Tower should be used as a supplement to your facility's cleaning and disinfection protocols, not as a replacement. Follow your facility's cleaning and disinfection protocols before using the Germinator-UV Tower.



Toll Free 1.877.706.4480 | Local/ International 713.706.4480 | Fax 713.706.4161  
www.MSEC.co

- No special room preparation is required prior to treating a room or area with the Germinator-UV Tower — however, target surfaces must be directly exposed to the UV rays. These rays will not penetrate materials like cloth, paper or ordinary glass; therefore, it is important to remove items from the direct line of sight that would block or shield the rays from other surfaces.
- The Germinator-UV Tower does not generate any harmful byproducts, nor does it leave any residual substances.

**Figure 1 - Dimensional Data**



All specifications, dimensional data, etc are approximate and subject to change without notice.



Toll Free 1.877.706.4480 | Local/ International 713.706.4480 | Fax 713.706.4161  
www.MSEC.co