

## LED Contemporary Sconce with Decorative Accent

Item# XDU72L816SHSAFX

### Features:

- Transitional arm light wall mount sconce is ADA compliant and fully enclosed with a top and bottom diffuser.
- White linen acrylic shade with satin nickel finish or hard-back linen shade with champagne finish
- Fixture mounts to junction box behind the shade (not included)

### Construction:

- Back plate is die formed of 20-gauge steel
- Standard mounting holes and hardware are included
- Power supply connections can be made inside a junction box or inside the ballast compartment
- The arms are tapered cast aluminum and require assembly to the backplate and wall

### Finish:

- Backplate is finished in lighting grade white baked gloss enamel paint
- Cast arm is finished in anodized champagne or a plated satin nickel

### Diffuser:

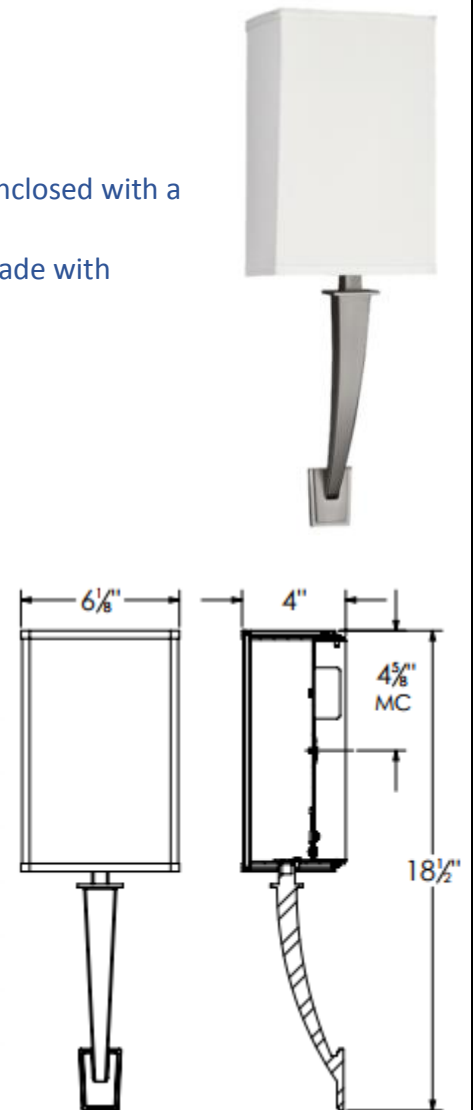
- Diffuser is a hard-backed cream linen shade (LN) white linen acrylic (LA).
- Shade mounts to back plate with two screws. Top and bottom diffusers are .100" matte white acrylic

### Electrical:

- This unit is direct wired with a constant current LED driver rated for 120-277V
- Compatible with residential (TRIAC/ELV) and commercial (0-10V) dimmers
- TRIAC and ELV dimming only at 120VAC

### Lamping:

- 7W = 700 source lumens
- 15W = 1400 source lumens
- 2700K or 3000K (CCT)
- Rated for 50,000 Hrs., 90 CRI



Toll Free 1.877.706.4480 | Local/ International 713.706.4480 | Fax 713.706.4161  
www.MSEC.co

Certification:

- All fixtures are cETLus listed for damp locations

Limited Warranty:

- 5 years from date of purchase

Ordering Specifications:

Linen Acrylic Shade		Cream Linen Shade		LED	Lumens	CCT	H	W	D
Satin Nickel		Champagne							
ALNSDU72L007816SHSAFX	NLCADU72L007816SHSAFX	7W	700	2700K	18-1/2"	6-1/8"	4"		
ALNSDU03L007816SHSAFX	NLCADU03L007816SHSAFX	7W	700	3000K	18-1/2"	6-1/8"	4"		
ALNSDU72L00418121SHSAFX	NLCADU72L00418121SHSAFX	15W	1400	2700K	18"	12-5/8"	4"		
ALNSDU03L00418121SHSAFX	NLCADU03L00418121SHSAFX	15W	1400	3000K	18"	12-5/8"	4"		

