



To inquire or purchase please
contact our sales department

Toll free: 1-877-706-4480

Local: 713-706-4480

Liz V.: ext. 102

Lucinda E.: ext. 109

Gary G.: ext. 110

www.msec.co

MS3C-POWERPROX

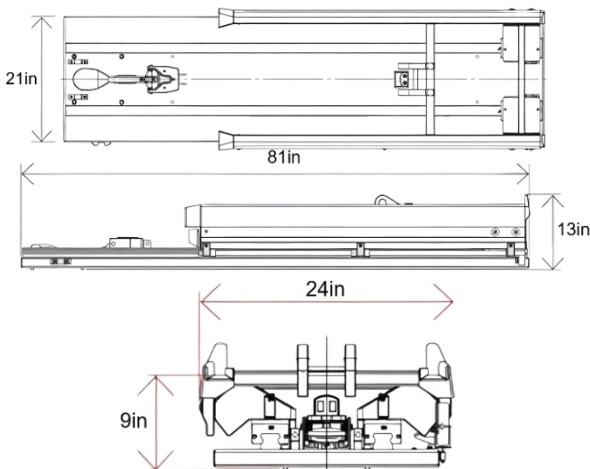
Electric Ambulance Stretcher

Technical Features:

- Made out of high-strength aluminum alloy.
- Length of the stretcher can be adjusted.
- Ability to access elevators and navigate narrow spaces.
- Battery operated hydraulic height adjustment.
- Equipped with a warning light for night operations.
- Manual release handle controls the raising and lowering of the stretcher when battery power is not sufficient.
- Caster size 6in diameter.



Rechargeable Battery & Charger



MS3C-POWERPRODOCK

Electric Ambulance Stretcher Dock

Technical Features:

- Made out of aluminum alloy and stainless steel.
- The stretcher dock enables the electric ambulance stretcher to move in and out of the ambulance with ease.
- o Must be purchased together with Power Pro X Stretcher



Model	High Position	Low Position	Back Angle Max	Knee Angle Max	Unit Weight	Load Bearing Weight	Packing		
							QTY	Size (L x W x H)	G.W.
MS3C-POWERPROX	78in x 22in x 47in	78in x 22in x 20in	75°	20°	165lbs	660lbs	1	81in L x 27in W x 27in H	231lbs
MS3C-POWERPRODOCK	88in x 27in x 13in	-	-	-	-	-	1	93in L x 20in W x 32in H	243lbs

320 Mason Creek Dr. Suite 150

Katy, TX 77450